



# INERTIA®

- Deformity Correxxion System
- Degenerative VB Fusion

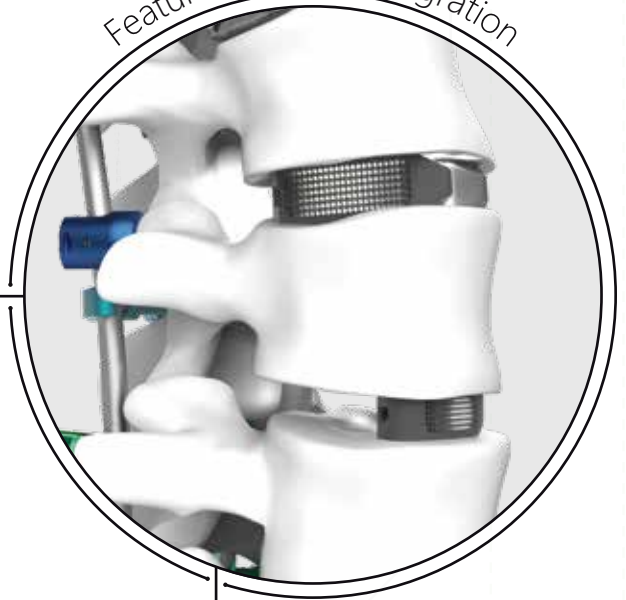
· Patent: US #10,172,647 Rod Snap-In Feature

· Multiple Rod Options

· 9 Variations of Screw Types

· 6 Variations of Transition Connectors

Featured System Integration



## NEXXT MATRIX®

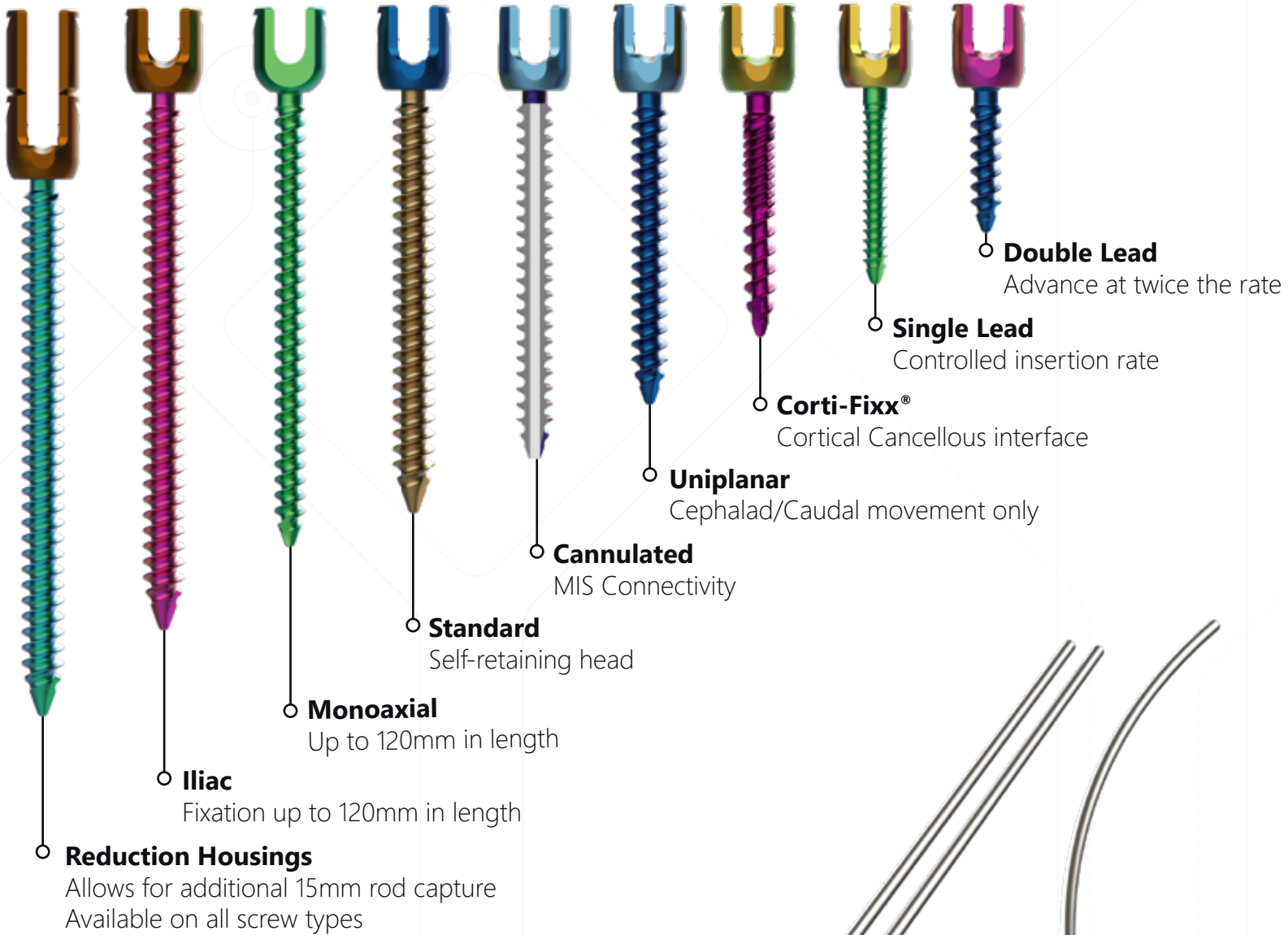
3D Printed Porous Titanium

**NEXXT**  
Spine

317-436-7801  
INFO@NEXXTSPINE.COM  
14425 BERGEN BLVD, STE B  
NOBLESVILLE, IN 46060  
70-060E, Rev B

# SCREW OPTIONS

Available in a range of diameters and lengths.

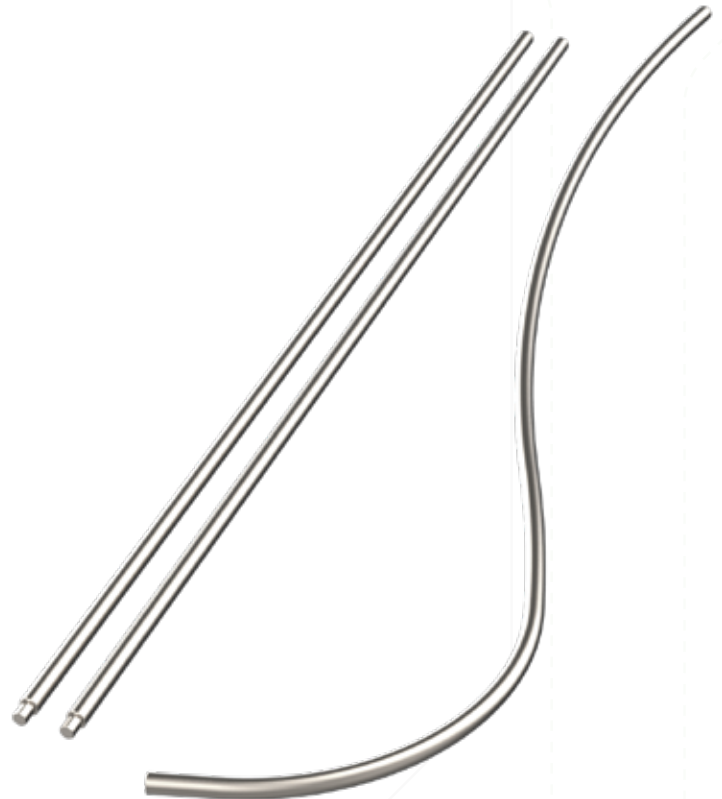


## Protected Rod Snap-In Feature



## ROD OPTIONS

Ø5.5mm Cobalt Chrome and Titanium Alloy Rods up to 600mm straight and prebent  
Hex end and Lined Options



# TRANSITION CONNECTORS

Ø5.5 and 6.5mm Connectivity



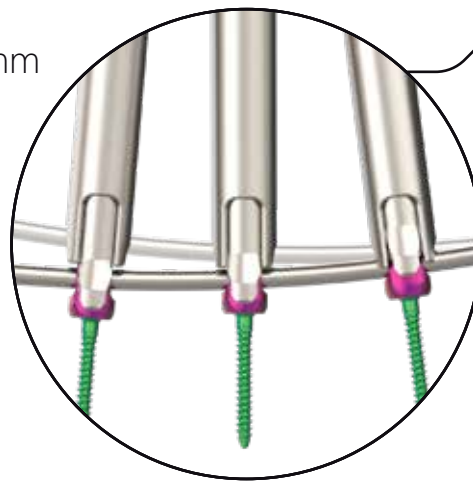
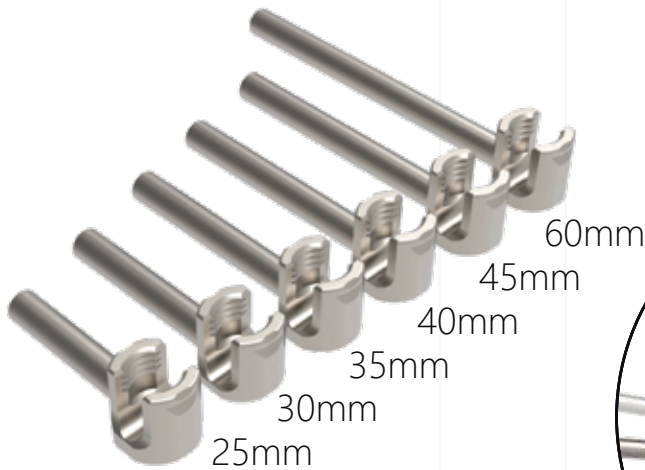
# KEY INSTRUMENTS



**PISTOL GRIP**  
ROD REDUCER  
20mm Reduction

# OFFSET CONNECTORS

Accommodates Medial/Lateral Rod Position



**TURBO TOWER**  
ROD REDUCER  
25mm Reduction

**AUTO-LOCKING**  
SCREW INSERTER

# CROSS CONNECTORS

Multi-Axis Adjustability

